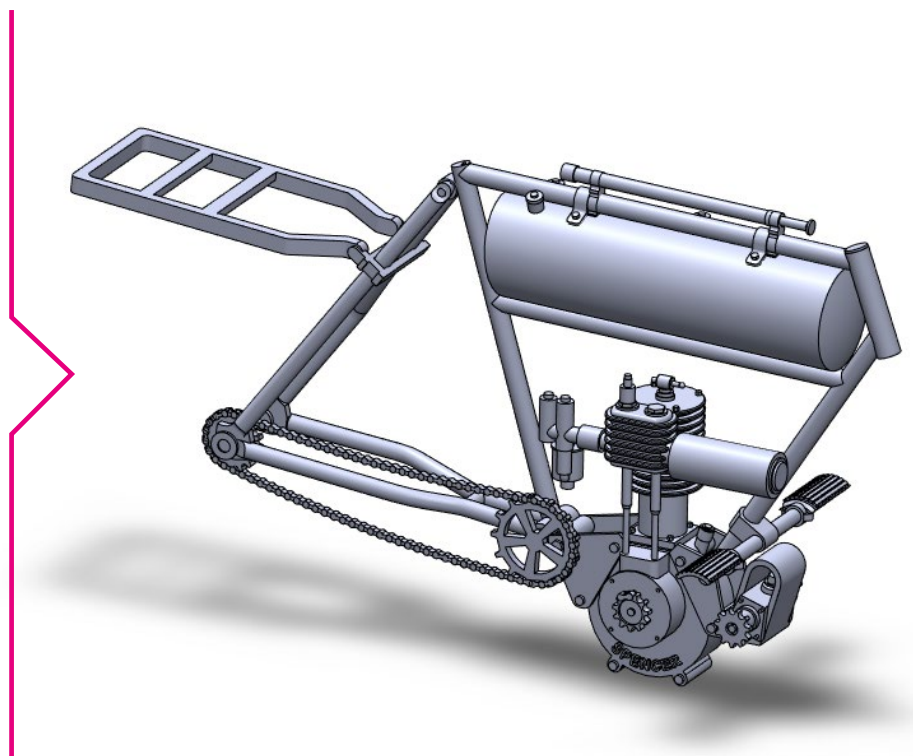
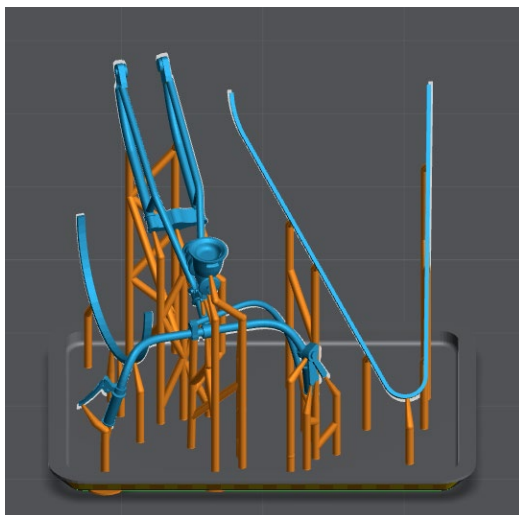
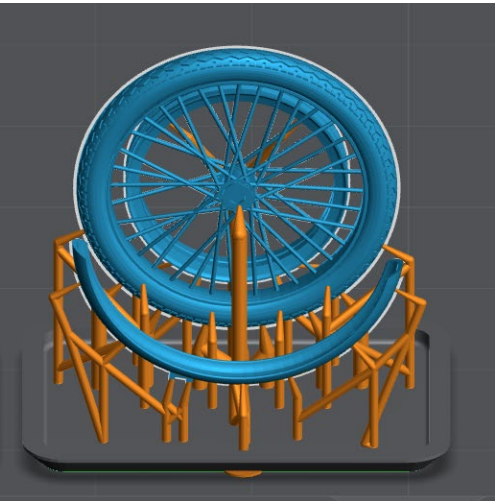
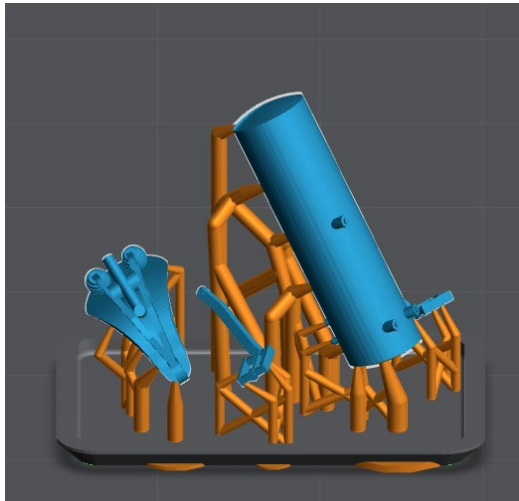
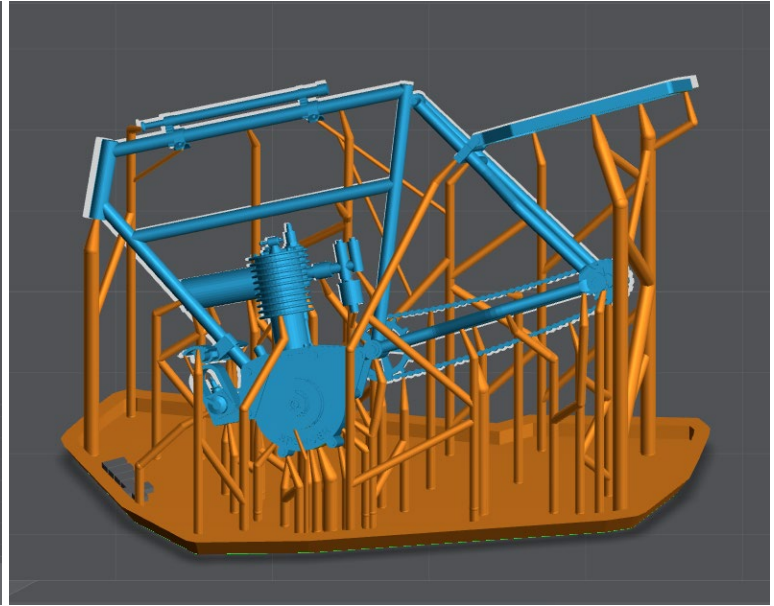
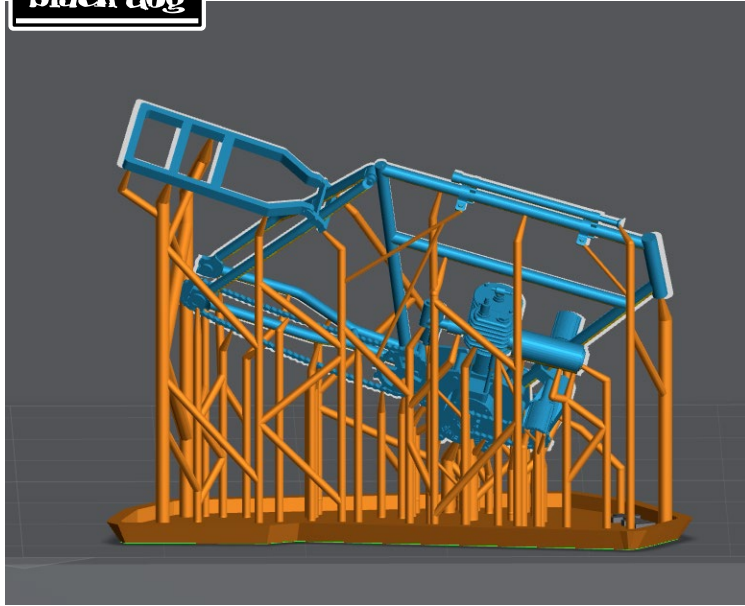
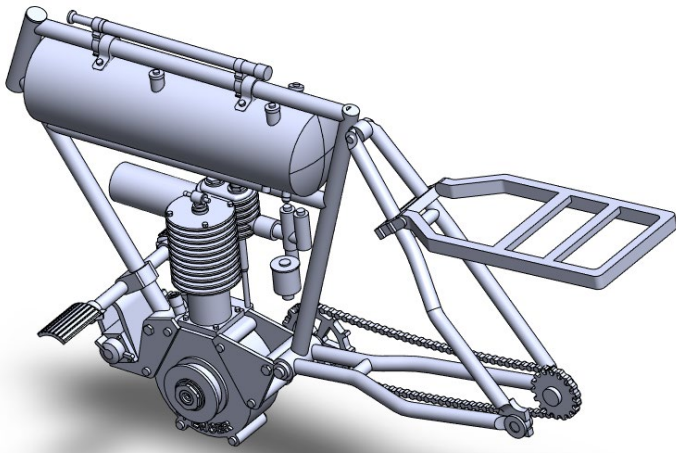




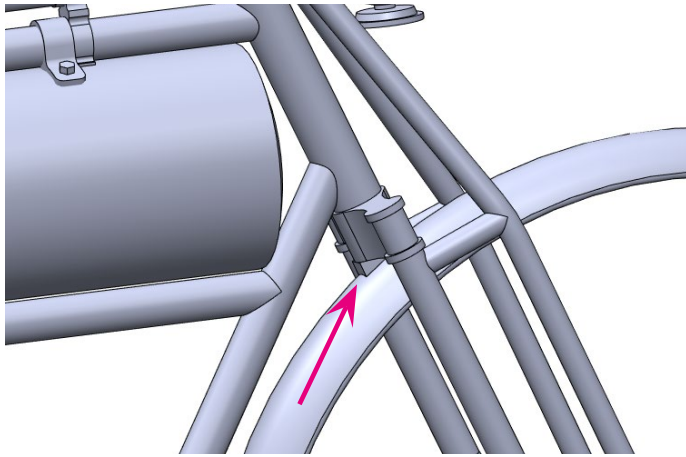
Spencer 1906
1/35 cat.n. M35001
1/32 cat.n. M32001



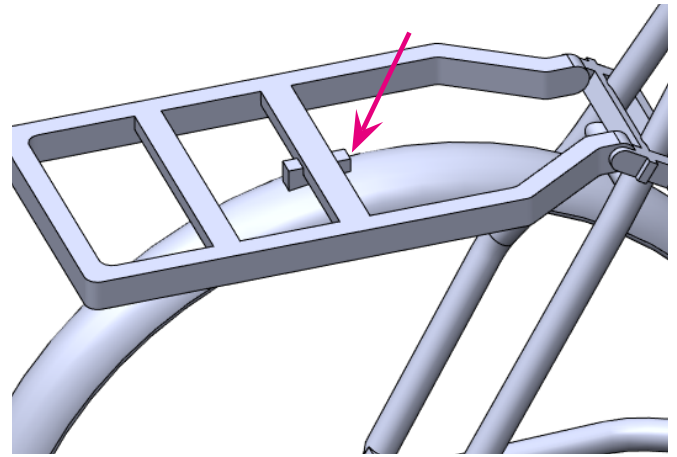
Remove supports (orange) carefully with side plier.
Use cyanoacrylate glue. Parts can be grinded and filled by putty as on classic resin.



Front fender attachment detail.



Rear fender attachment detail



For painting reference visit:

<https://blog.qagoma.qld.gov.au/brisbane-born-the-spencer-motorcycle-story-the-motorcycle-design-art-desire-australia/>

